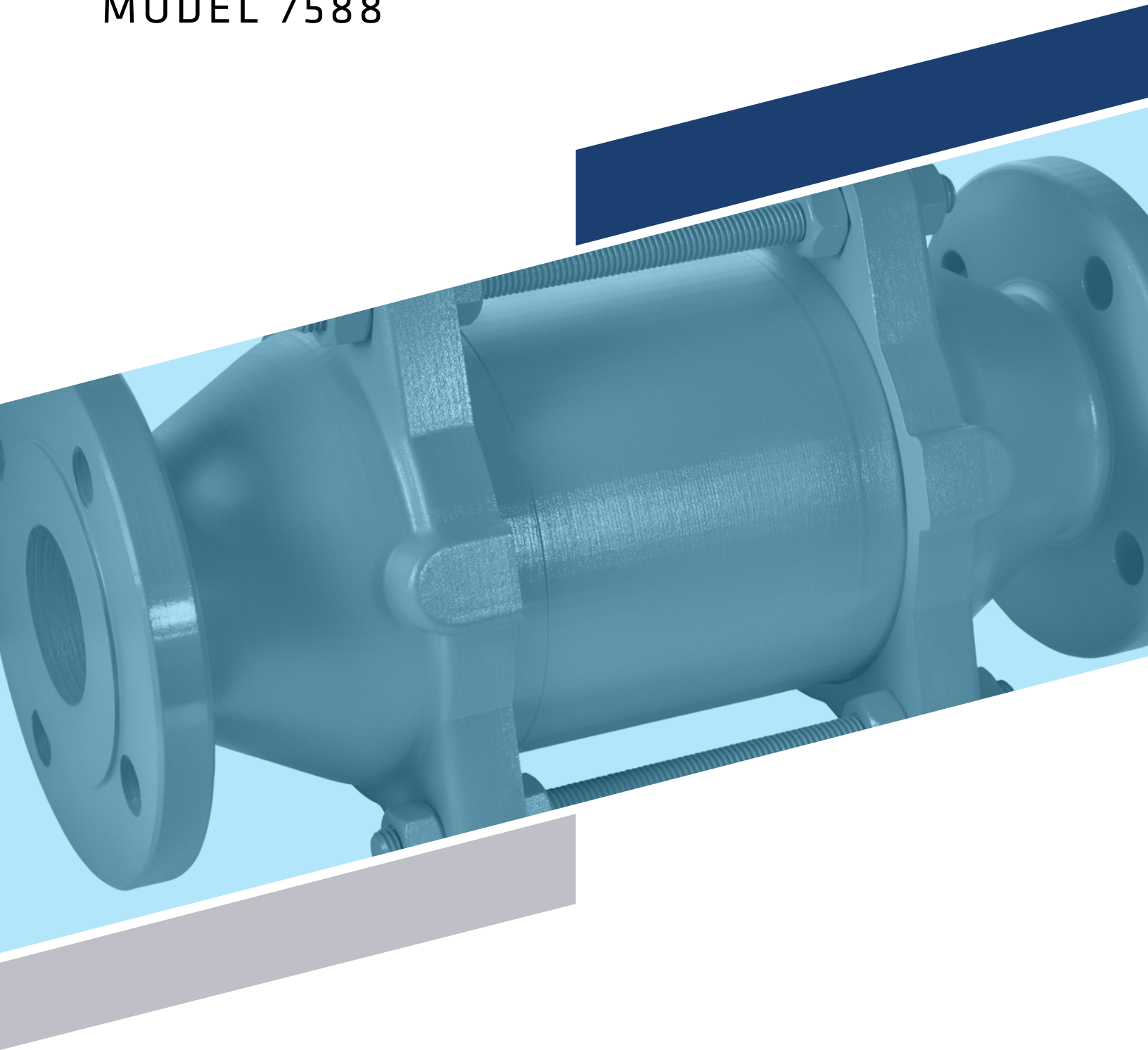




CORPORATION

FLAME ARRESTER

MODEL 7588



MODEL 7588

The Groth Model 7588 is a In-Line Vertical Deflagration Flame Arrester designed to inhibit flame propagation in gas piping systems and to protect low pressure tanks containing flammable liquids. Arresters protect low flash point liquids from external sources of ignition providing increased fire protection and safety.

Technical Details

- Sizes: 2" (DN50) through 12" (DN300)
- Housing standard material: Aluminum, Carbon Steel, Stainless Steel
- Flame element standard material: 316L Stainless Steel
- Maximum Operational pressure 15.7 psia (1.08 bara)
(testing parameters based on EN ISO 16852:2010)
- Operational Temperature Range: -4 to 140 °F (-20 to 60 °C)
- Burn Tim tBT 5 minutes
- NEC gas group D, IEC gas group IIA1 (MESG \geq 1.14 mm)
- 2" - 12" sizes available with ATEX Certification in compliance with EN ISO 16852:2010 with bodies of Carbon Steel or Stainless Steel construction
- 2" - 4" sizes available with ATEX Certification in compliance with EN ISO 16852:2010 with bodies of Aluminum construction

Features

- Unique recessed seating for superior protection
- Quick and easy maintenance
- Modular design allows easy and cost-effective flame-bank maintenance
- Flame arrester element geometry maximizes flame-quenching capability while minimizing pressure drop
- Proven spiral-wound, crimped-ribbon flame element provides reliable protection

Options

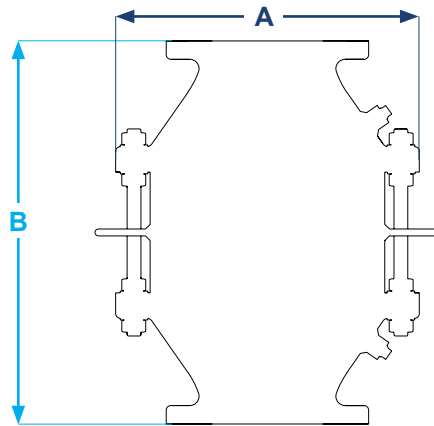
- Exterior painting or coating
- DIN or ASME/ANSI drilling
- Tapped and instrumentation ports
- Factory installed thermocouples for flame sensing, required for flame detection per ATEX code



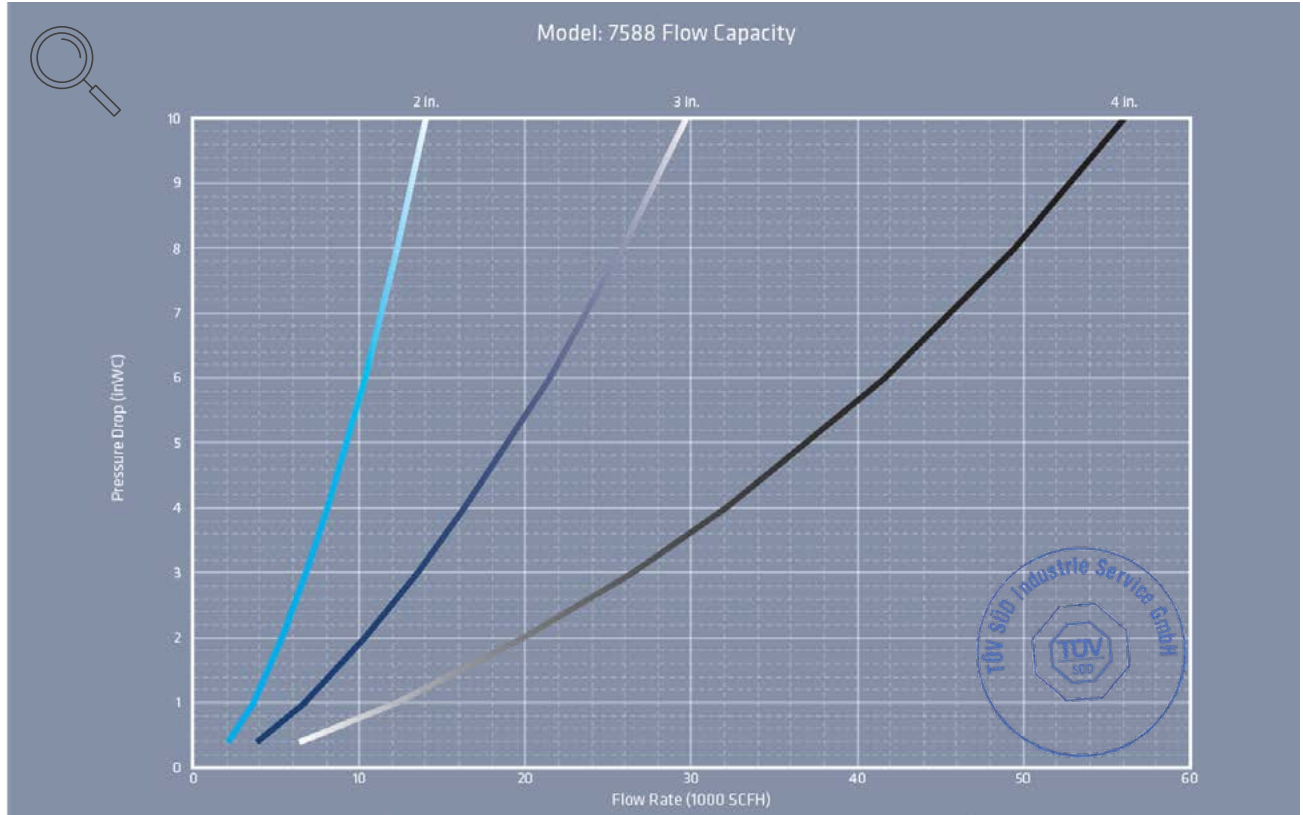
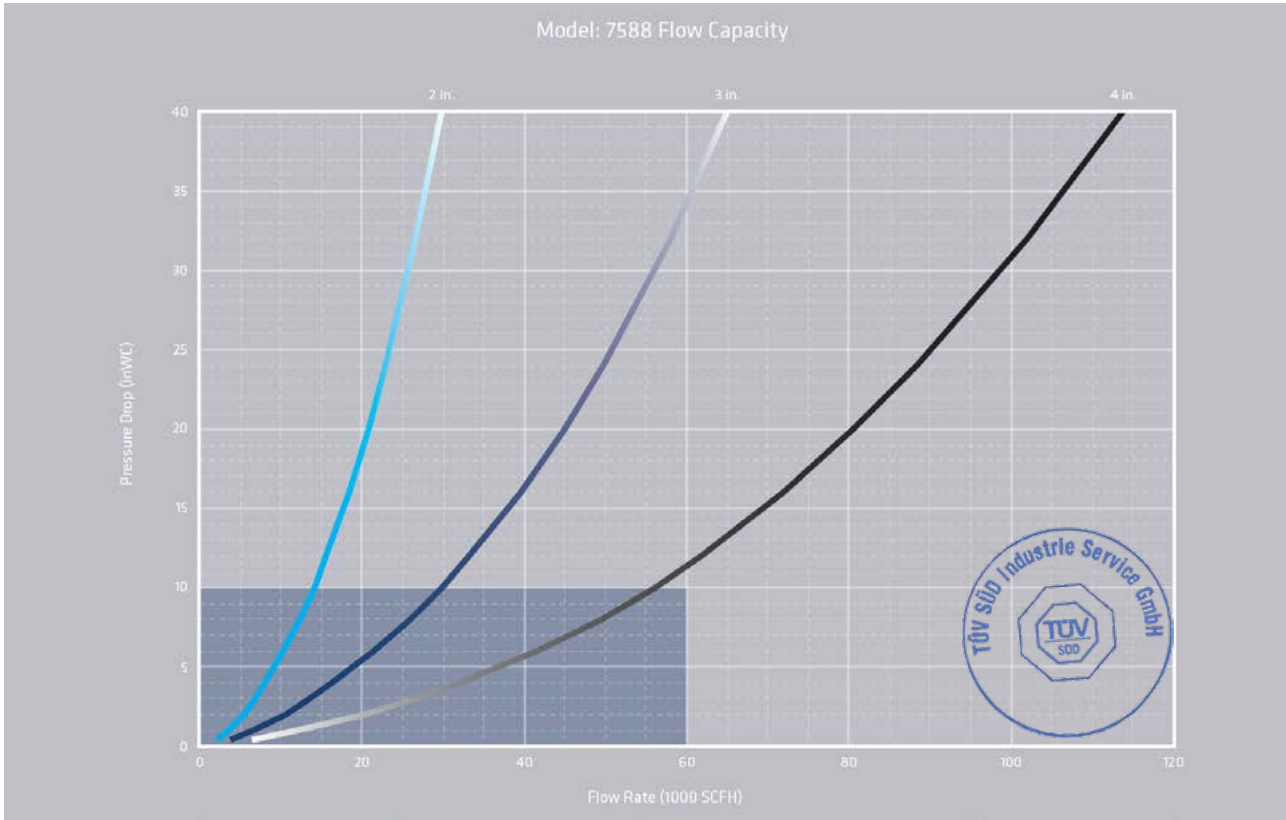
SPECIFICATIONS

Flange Size Inches (mm)	A Width Inches (mm)	B Height Inches (mm)	Maximum Run Up (L/D)*	Approx Ship. Weight Aluminum Lbs (kg)	Approx Ship. Weight Carbon or SS Lbs (kg)
2" (51)	8.75 (221)	14.00 (356)	50	18 (8)	40 (18)
3" (76)	9.50 (241)	16.00 (406)	20	27 (12)	60 (27)
4" (102)	11.50 (292)	18.25 (464)	10	42 (19)	91 (41)
6" (152)	16.50 (419)	21.00 (533)	10	92 (42)	184 (83)
8" (203)	21.00 (533)	25.00 (635)	10	146 (66)	309 (140)
10" (254)	24.75 (629)	30.00 (762)	10	237 (108)	498 (226)
12" (305)	28.62 (727)	32.50 (826)	10	306 (139)	694 (314)

Specifications subject to change without notice. Certified dimensions available upon request
 *Testing parameters based on EN ISO 16852:2010

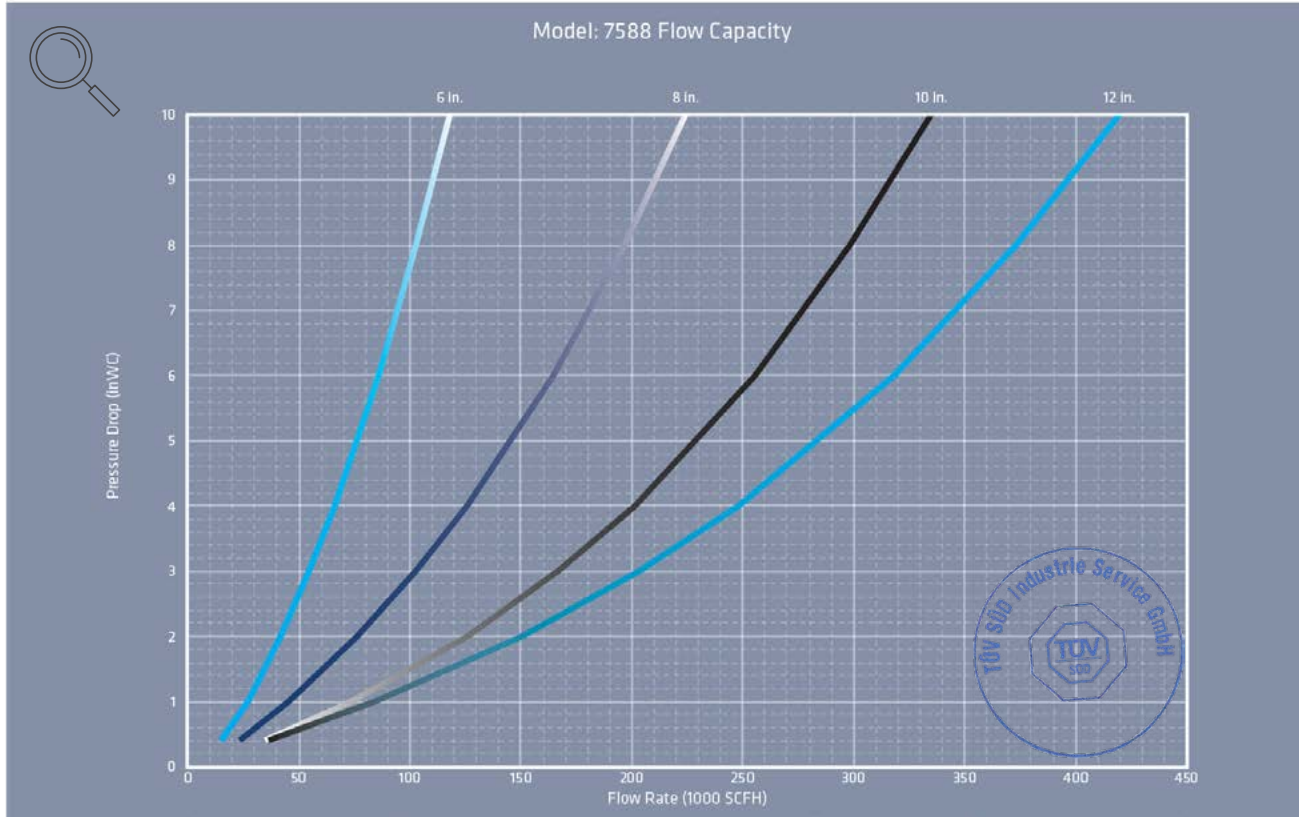
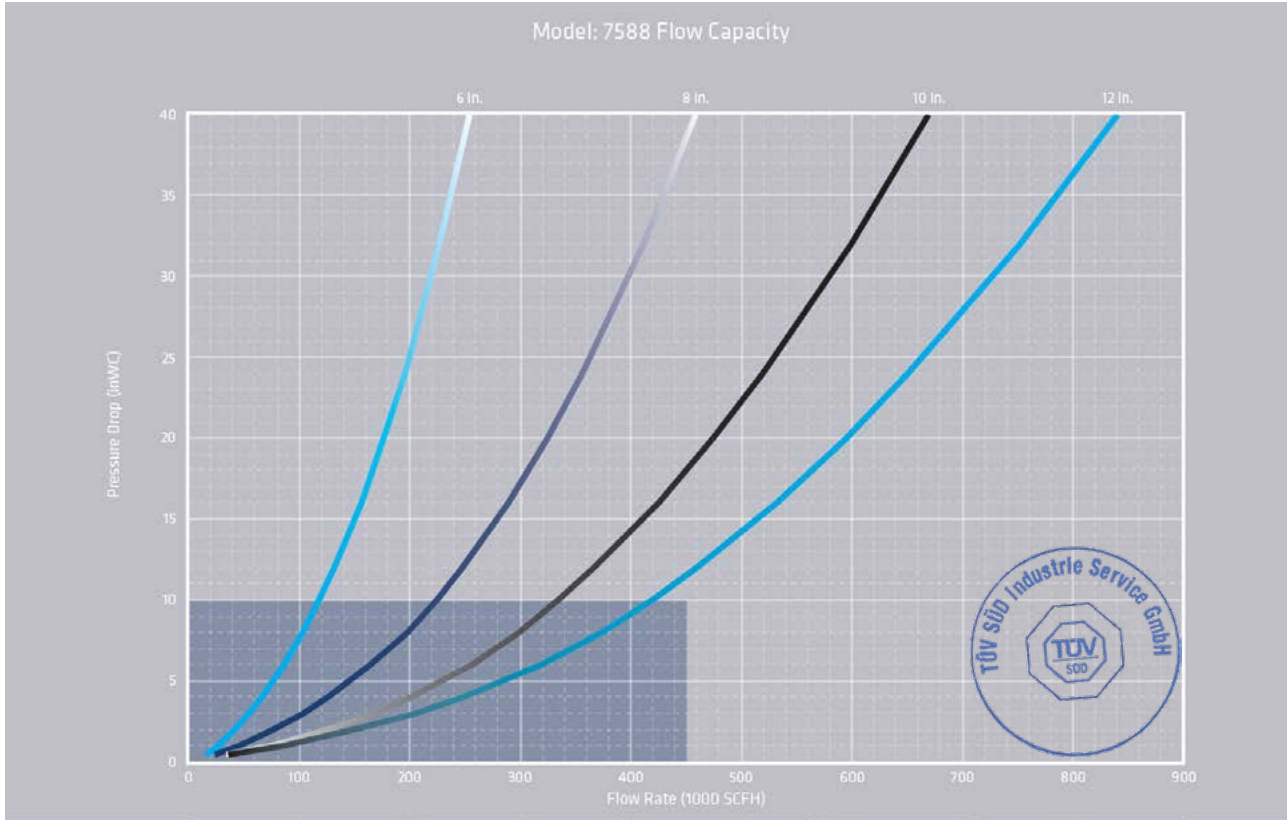


FLOW CAPACITY



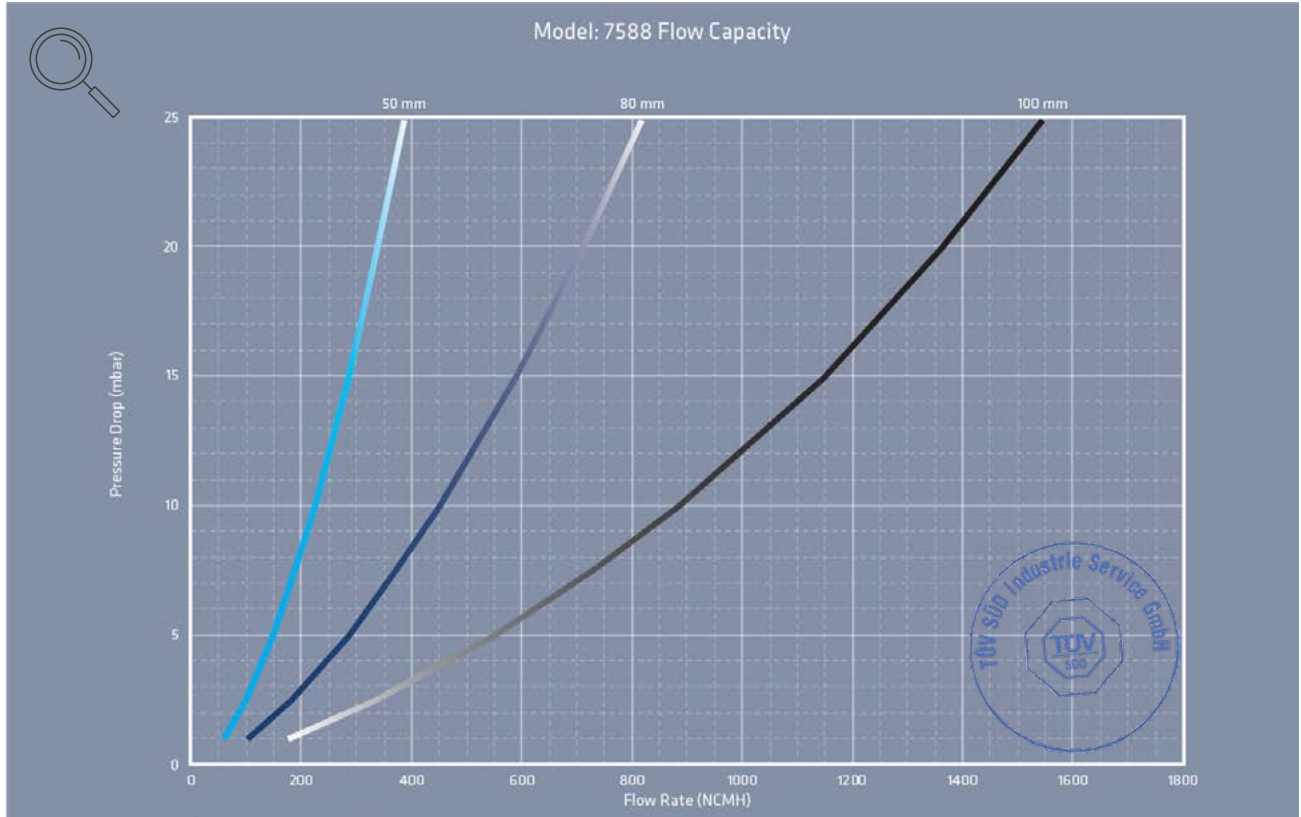
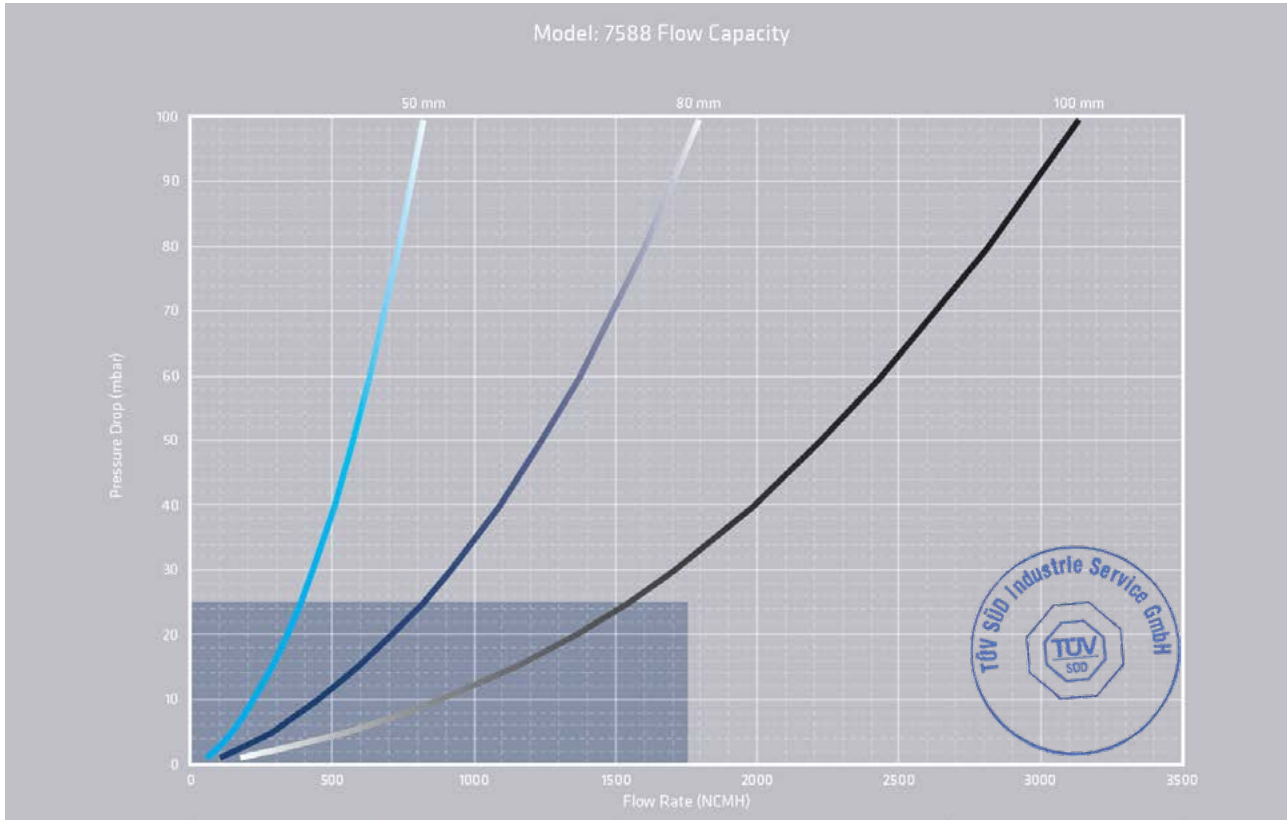
- The test equipment, procedures, and reporting methods utilized by Groth Corporation meet the requirements of standards API 2000/ISO 28300 and ISO 16852. The equipment, methods, and results have been reviewed and certified by TÜV SÜD.
- Flow data are for in-line mounting and does not include entrance losses or exit losses.
- Flow values based on air at 60°F venting to atmospheric pressure of 14.6959 psia

FLOW CAPACITY



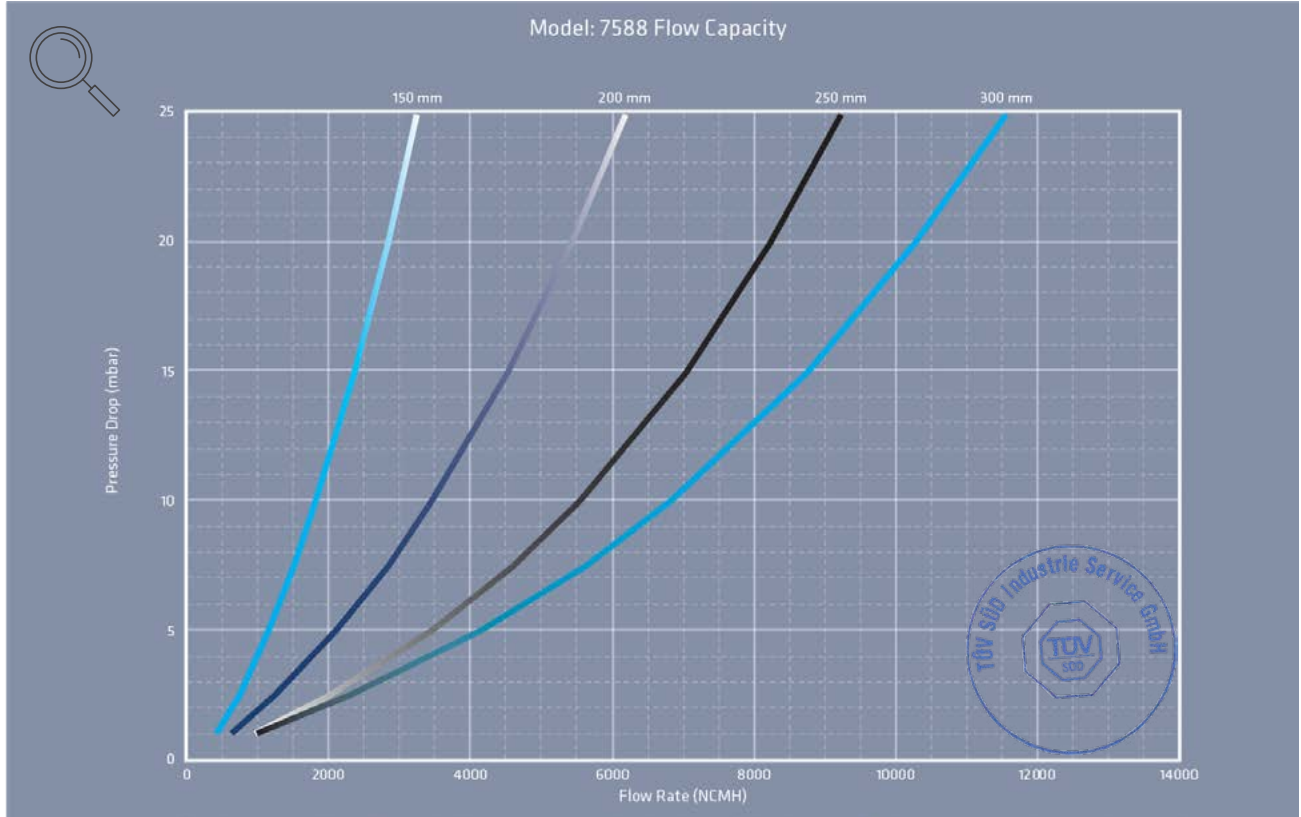
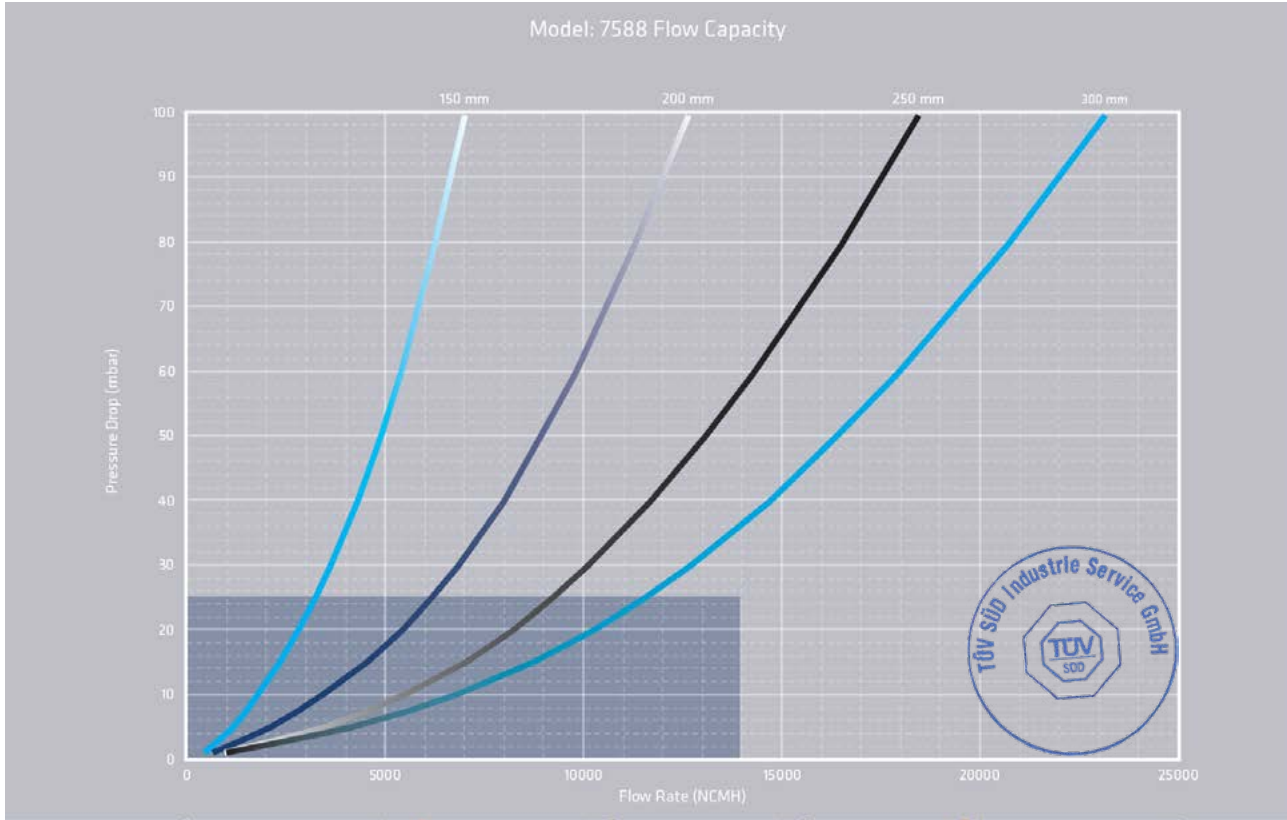
- The test equipment, procedures, and reporting methods utilized by Groth Corporation meet the requirements of standards API 2000/ISO 28300 and ISO 16852. The equipment, methods, and results have been reviewed and certified by TÜV SÜD.
- Flow data are for in-line mounting and does not include entrance losses or exit losses.
- Flow values based on air at 60°F venting to atmospheric pressure of 14.6959 psia

FLOW CAPACITY



- The test equipment, procedures, and reporting methods utilized by Groth Corporation meet the requirements of standards API 2000/ISO 28300 and ISO 16852. The equipment, methods, and results have been reviewed and certified by TÜV SÜD.
- Flow data are for in-line mounting and does not include entrance losses or exit losses.
- Flow values based on air at 0°C venting to atmospheric pressure of 1.01325 bara

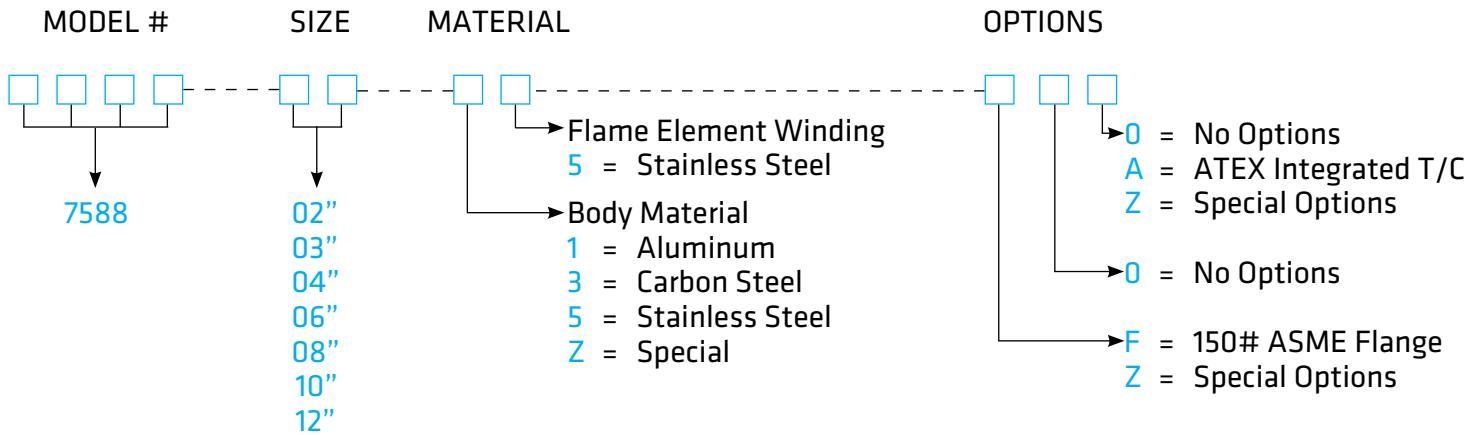
FLOW CAPACITY



- The test equipment, procedures, and reporting methods utilized by Groth Corporation meet the requirements of standards API 2000/ISO 28300 and ISO 16852. The equipment, methods, and results have been reviewed and certified by TÜV SÜD.
- Flow data are for in-line mounting and does not include entrance losses or exit losses.
- Flow values based on air at 0°C venting to atmospheric pressure of 1.01325 bara

HOW TO ORDER

For easy ordering, select proper model numbers



Notes

- Include model number and setting when ordering
- For special options, consult factory
- 2" - 12" sizes available with ATEX Certification in compliance with EN ISO 16852:2010 with bodies of Carbon Steel or Stainless Steel construction
- 2" - 4" sizes available with ATEX Certification in compliance with EN ISO 16852:2010 with bodies of Aluminum construction

Example

7
5
8
8
-
0
2
-
3
5
-
F
0
A

Indicates a 2" Model 7588 with Carbon Steel body, Stainless Steel flame element, 150# ASME Flanged Outlet, and ATEX Integrated thermocouple



GROTHCORP.COM